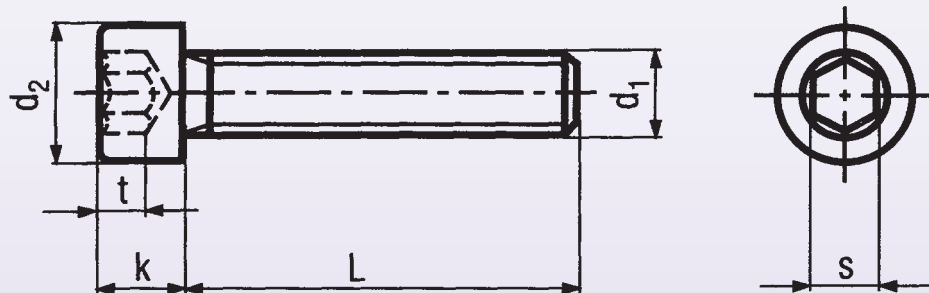


INDEX

Page		DIN Standard
1.	Socket Cap Screws	912
2.	Socket Flat Head Screws	7991
3.	Socket Button Head Screws	7380
4.	Socket Sets Cup Point	916
5.	Socket Sets Flat Point	913
6.	Socket Sets Cone Point	914
7.	Six-Lobe Pan Head Screws	7985
8.	Six-Lobe Flat Head Screws	965
9.	Pozidriv Pan Head Screws	7985
10.	Pozidriv Flat Head Screws	965
11.	Pozidriv R/CSK Head Screws	966
12.	Slotted Cheese Head Screws	84
13.	Slotted Flat Head Screws	963
14.	Slotted Pan Head Screws	85
15.	Slotted R/CSK Head Screws	964
16.	Hexagon Full Nuts	934
17.	Hexagon Lock & Nylon Insert Nuts	439 & 985
18.	Hexagon Head Set Screws	933
19.	Flat Washers	125A
20.	Spring Washers	127B & 7980
21.	Internal & External Washers	6798J & 6798A
22.	Curved Washers	137A
23.	Crinkle Washers	BS 4463
24.	Spring Pins	1481
25.	Slotted Grub Screws	551
26.	Flat Head Thread Forming Screws	7500
27.	Pan Head Thread Forming Screws	7500
28.	Pan Head P-TITE Thread Forming Screws	JIS
29.	CSK Head P-TITE Thread Forming Screws	JIS
30.	Pan Head B-TITE Thread Forming Screws	JIS
31.	CSK Head B-TITE Thread Forming Screws	JIS

DIN 912 Socket Cap Screws



D1	M1.4	M1.6	M2	M2.5	M3
D2	2.6	3	3.8	4.5	5.5
K max	1.4	1.6	2	2.5	3
S	1.3	1.5	1.5	2	2.5
T min	0.6	0.7	1	1.1	1.3
Pitch	0.3	0.35	0.4	0.45	0.5

Lengths and material available

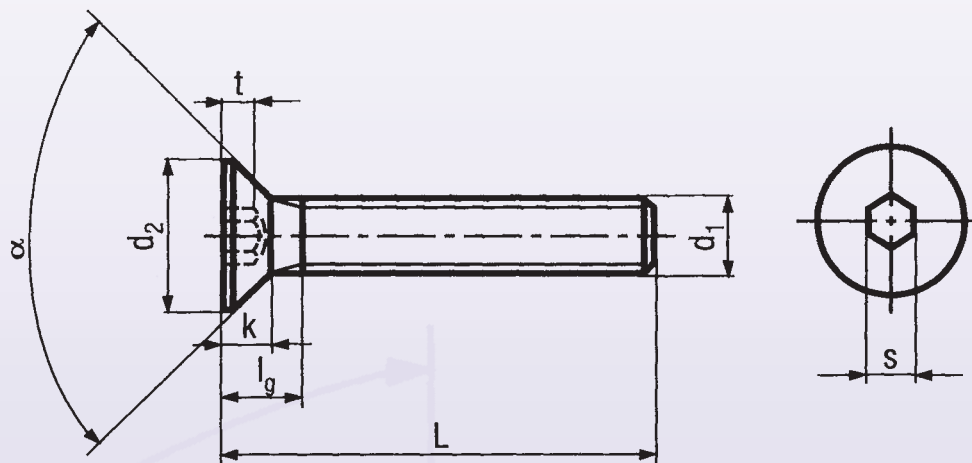
D1	M1.4	M1.6	M2	M2.5	M3
3	▼ ●	▼ ●	▼ ●	▼ ●	
4	▼ ●	▼ ●	▼ ●	▼ ●	▼ ●
5	▼ ●	▼ ●	▼ ●	▼ ●	▼ ●
6	▼ ●	▼ ●	▼ ●	▼ ●	▼ ●
8		▼ ●	▼ ●	▼ ●	▼ ●
10		▼ ●	▼ ●	▼ ●	▼ ●
12		▼ ●	▼ ●	▼ ●	▼ ●
14				▼ ●	▼ ●
16				▼ ●	▼ ●
18				▼ ●	▼ ●
20				▼ ●	▼ ●
22					●
25				▼ ●	▼ ●
28					●
30				▼ ●	▼ ●
35					▼ ●
40					▼ ●
45					▼ ●
50					▼ ●

▼ = Stainless Steel A2

● = Steel Grade 12.9 Self Colour

Stainless Steel A4 also available.

DIN 7991 Socket Flat Head Screws



D1	M2	M2.5	M3
D2	4	5	6
K	1.2	1.45	1.7
S	1.27	1.5	2
T min	0.75	0.8	1.2
Pitch	0.4	0.45	0.5

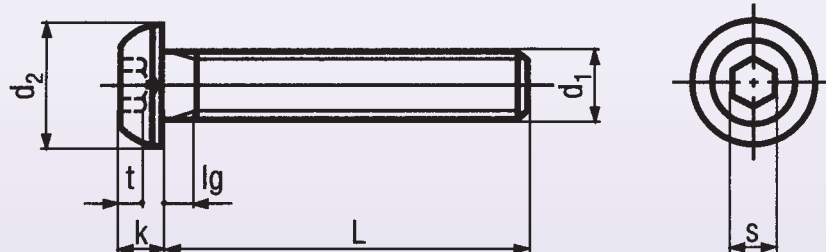
Lengths and material available

D1	M2	M2.5	M3
4	▼ ●	▼ ●	
5	▼ ●	▼ ●	▼ ●
6	▼ ●	▼ ●	▼ ●
8	▼ ●	▼ ●	▼ ●
10	▼ ●	▼ ●	▼ ●
12	▼ ●	▼ ●	▼ ●
14			▼ ●
16	▼	▼ ●	▼ ●
18		●	▼ ●
20		▼ ●	▼ ●
22		●	●
25		▼ ●	▼ ●
30		▼ ●	▼ ●
35			●
40			●

▼ = Stainless Steel A2 ● = Steel Grade 10.9 Self Colour Stainless Steel A4 also available.

Larger sizes available on request.

ISO 7380 Socket Button Head Screws



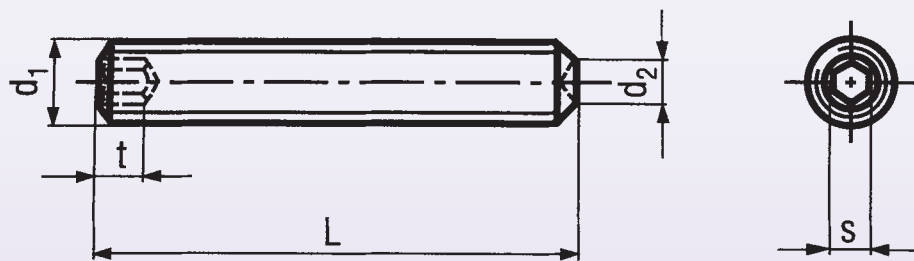
D1	M2	M2.5	M3
D2	3.5	4.5	5.7
K	1.3	1.5	1.65
S	1.3	1.5	2
T	0.6	0.8	1.04
LG max	0.6	0.8	1
Pitch	0.4	0.45	0.5

Lengths and material available

D1	M2	M2.5	M3
3	▼ ●	●	
4	▼ ●	▼ ●	
5	▼ ●	▼ ●	▼ ●
6	▼ ●	▼ ●	▼ ●
8	▼ ●	▼ ●	▼ ●
10	▼ ●	▼ ●	▼ ●
12	▼ ●	▼ ●	▼ ●
14	●	▼ ●	▼ ●
16	▼ ●	▼ ●	▼ ●
18			
20	▼ ●	▼ ●	▼ ●
22			
25			▼ ●
30			▼ ●

▼ = Stainless Steel A2 ● = Steel Grade 10.9 Self Colour Stainless Steel A4 also available.

DIN 916 Socket Set Cup Point



D1	M1.4	M1.6	M2	M2.5	M3
D2	0.45-0.7	0.55-0.8	0.75-1	0.95-1.2	1.15-1.4
S	0.7	0.7	0.9	1.3	1.5
T min	0.6	0.7	0.8	1.2	1.2
T max	1.4	1.5	1.7	2	2
Pitch	0.3	0.35	0.4	0.45	0.5

Lengths and material available

D1	M1.4	M1.6	M2	M2.5	M3
2.5	▼	▼ ●	▼ ●		
3	▼	▼ ●	▼ ●	▼ ●	▼
4	▼ ●	▼ ●	▼ ●	▼ ●	▼ ●
5	▼ ●	▼ ●	▼ ●	▼ ●	▼ ●
6	▼ ●	▼ ●	▼ ●	▼ ●	▼ ●
8			▼ ●	▼ ●	▼ ●
10			▼ ●	▼ ●	▼ ●
12			▼ ●	▼ ●	▼ ●
14					▼ ●
16					▼ ●
18					▼ ●
20					▼ ●
22					●
25					▼ ●

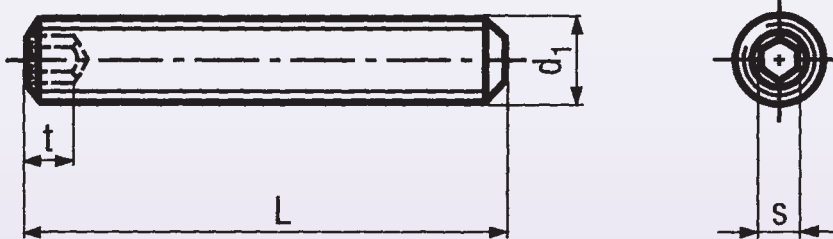
▼ = Stainless Steel A2

● = Steel Grade 45H Self Colour

Stainless Steel A4 also available.

Larger sizes available on request.

DIN 913 Socket Set Flat Point



D1	M1.4	M1.6	M2	M2.5	M3
S	0.7	0.7	0.9	1.3	1.5
T min	0.6	0.7	0.8	1.2	1.2
T max	1.4	1.5	1.7	2	2
Pitch	0.3	0.35	0.4	0.45	0.5

Lengths and material available

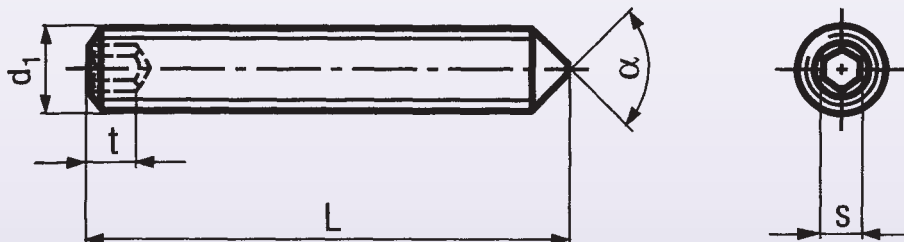
D1	M1.4	M1.6	M2	M2.5	M3
2.5	▼ ●	▼ ●	▼		
3	▼ ●	▼ ●	▼ ●	▼ ●	▼ ●
4	▼ ●	▼ ●	▼ ●	▼ ●	▼ ●
5	▼ ●	▼ ●	▼ ●	▼ ●	▼ ●
6	▼ ●	▼ ●	▼ ●	▼ ●	▼ ●
8			▼ ●	▼ ●	▼ ●
10			▼ ●	▼ ●	▼ ●
12			▼ ●	▼ ●	▼ ●
14					▼ ●
16					▼ ●
18					▼ ●
20					▼ ●
22					●
25					▼ ●

▼ = Stainless Steel A2

● = Steel Grade 45H Self Colour

Stainless Steel A4 also available.

DIN 914 Socket Set Cone Point



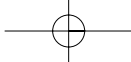
D1	M2	M2.5	M3
S	0.9	1.3	1.5
T min	0.8	1.2	1.2
T max	1.7	2	2
Pitch	0.4	0.45	0.5

Lengths and material available

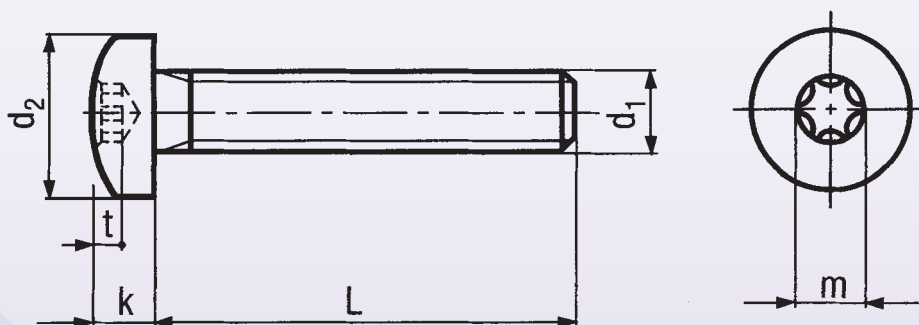
D1	M2	M2.5	M3
2.5			
3	▼ ●	▼ ●	▼ ●
4	▼ ●	▼ ●	▼ ●
5	▼ ●	▼ ●	▼ ●
6	▼ ●	▼ ●	▼ ●
8	▼ ●	▼ ●	▼ ●
10	▼ ●	▼ ●	▼ ●
12	▼ ●	▼ ●	▼ ●
14	▼	▼	▼ ●
16	▼	▼	▼ ●
18			▼ ●
20			▼ ●
22			●
25			▼ ●

▼ = Stainless Steel A2 ● = Steel Grade 45H Self Colour Stainless Steel A4 also available.

Larger sizes available on request.



DIN 7985 Six-Lobe Pan Recess Screws



D1	M1.6	M2	M2.5	M3
D2 max	3.2	4	5	6
T min	0.35	0.6-0.8	0.90	1.00
M	1.35	1.8	2.40	2.80
Driver Size	T4	T6	T8	T10
Pitch	0.35	0.4	0.45	0.5

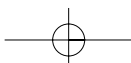
Lengths and material available

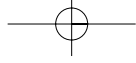
D1	M1.6	M2	M2.5	M3
3	▼ ●	▼ ●		
4	▼ ●	▼ ●		
5	▼ ●	▼ ●	▼ ●	▼ ●
6	▼ ●	▼ ●	▼ ●	▼ ●
8	▼ ●	▼ ●	▼ ●	▼ ●
10		▼ ●	▼ ●	▼ ●
12		▼ ●	▼ ●	▼ ●
14		●	▼ ●	▼ ●
16		●	▼ ●	▼ ●
18		●		▼ ●
20		●	●	▼ ●
22				●
25			●	▼ ●
28				●
30			●	●

▼ = Stainless Steel A2

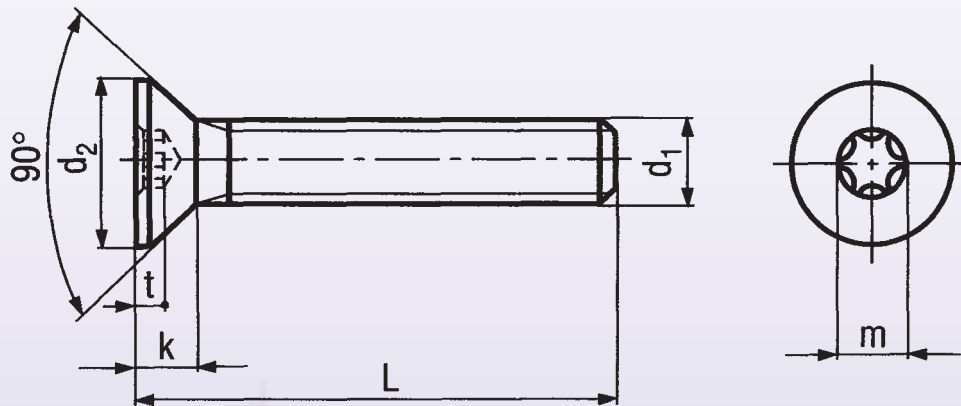
● = Steel 4.8 Zinc & Clear

Stainless Steel A4 also available.





DIN 965 Six-Lobe Flat Recess Screws



D1	M1.6	M2	M2.5	M3
D2	3.00	3.8	4.7	5.6
T min	0.35	0.51	0.70	0.75
M	1.35	1.75	2.40	2.8
Driver Size	T4	T6	T8	T10
Pitch	0.35	0.4	0.45	0.5

Lengths and material available

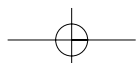
D1	M1.6	M2	M2.5	M3
3	▼ ●			
4	▼ ●	▼ ●		
5	▼ ●	▼ ●	▼ ●	▼ ●
6	▼ ●	▼ ●	▼ ●	▼ ●
8	▼ ●	▼ ●	▼ ●	▼ ●
10	▼ ●	▼ ●	▼ ●	▼ ●
12	▼ ●	▼ ●	▼ ●	▼ ●
14		●	▼ ●	▼ ●
16		●	▼ ●	▼ ●
18		●		▼ ●
20		●	▼ ●	▼ ●
22				●
25			●	▼ ●
28				●
30			●	●

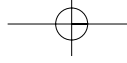
▼ = Stainless Steel A2

● = Steel 4.8 Zinc & Clear

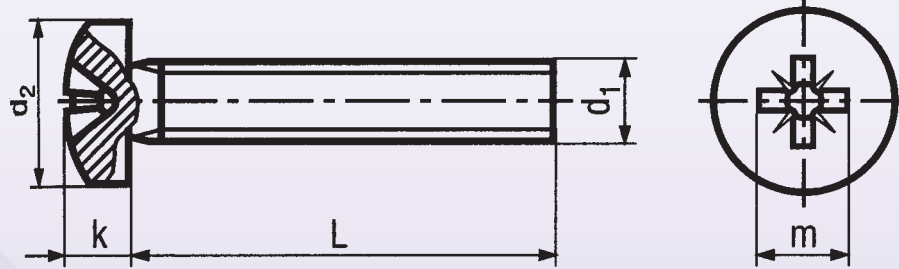
Stainless Steel A4 also available.

Larger sizes available on request.





DIN 7985A Pozidriv Pan Head Machine Screws

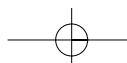


D1	M1.6	M2	M2.5	M3
D2	3.2	4	5	6
K	1.42	1.72	2.12	2.52
M	1.8	2.4	2.6	3
Driver Size	0	1	1	1
Pitch	0.35	0.4	0.45	0.5

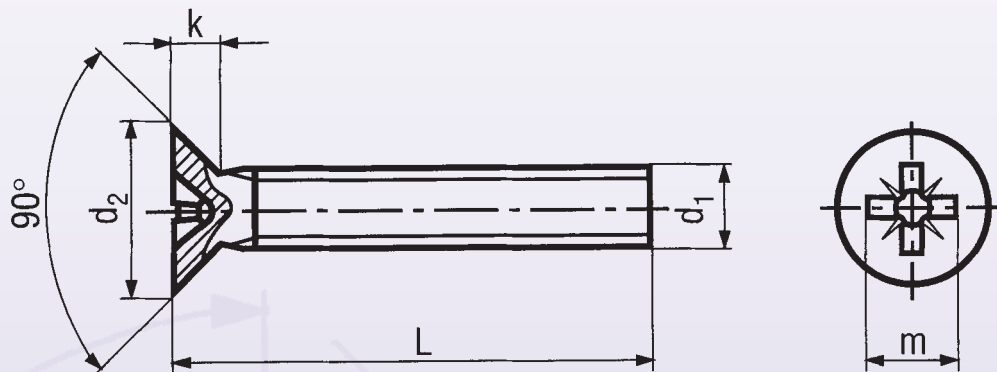
Lengths and material available

D1	M1.6	M2	M2.5	M3
3	▼ ●	▼ ●	▼ ●	
4	▼ ●	▼ ●	▼ ●	▼ ●
5	▼ ●	▼ ●	▼ ●	▼ ●
6	▼ ●	▼ ●	▼ ●	▼ ●
8	▼ ●	▼ ●	▼ ●	▼ ●
10	▼	▼ ●	▼ ●	▼ ●
12	▼	▼ ●	▼ ●	▼ ●
14		▼ ●	▼ ●	▼ ●
16		▼ ●	▼ ●	▼ ●
18			▼ ●	▼ ●
20		▼	▼ ●	▼ ●
22			●	●
25			▼ ●	▼ ●
30			●	▼ ●
35				▼ ●
40				▼ ●
45				▼ ●
50				▼ ●

▼ = Stainless Steel A2 ● = Steel 4.8 Zinc & Clear Phillips Recess also available. Stainless Steel A4 also available.



DIN 965A Pozidriv Flat Head Machine Screws



D1	M1.6	M2	M2.5	M3
D2	3	3.8	4.7	5.6
K	0.96	1.2	1.5	1.65
M	1.8	2.2	2.5	2.8
Driver Size	0	1	1	1
Pitch	0.35	0.4	0.45	0.5

Lengths and material available

D1	M1.6	M2	M2.5	M3
3	▼ ●	▼ ●		
4	▼ ●	▼ ●	▼ ●	▼ ●
5	▼ ●	▼ ●	▼ ●	▼ ●
6	▼ ●	▼ ●	▼ ●	▼ ●
8	▼ ●	▼ ●	▼ ●	▼ ●
10		▼ ●	▼ ●	▼ ●
12		▼ ●	▼ ●	▼ ●
14		▼ ●	▼ ●	▼ ●
16		▼ ●	▼ ●	▼ ●
18		▼ ●	▼ ●	▼ ●
20		●	▼ ●	▼ ●
22				●
25			●	▼ ●
28				●
30				▼ ●
35				●
40				●
45				●
50				●

▼ = Stainless Steel A2

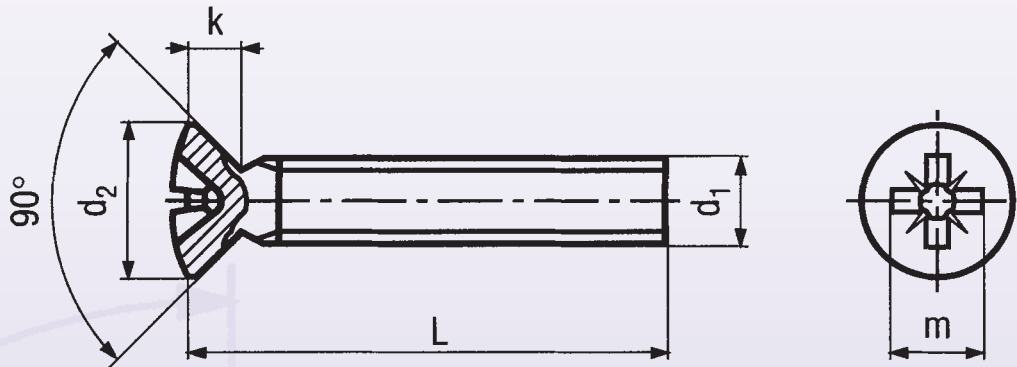
● = Steel 4.8 Zinc & Clear

Phillips Recess also available

Stainless Steel A4 also available.

Larger sizes available on request.

DIN 966 R/CSK Pozidriv Machine Screws



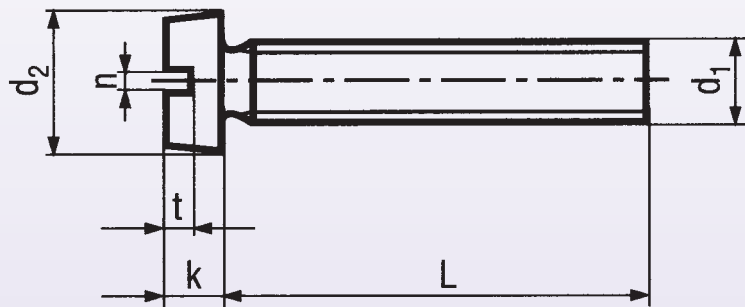
D1	M2.5	M3
D2	4.7	5.6
K	1.5	1.65
M	2.8	3.1
Driver Size	1	1
Pitch	0.45	0.5

Lengths and material available

D1	M2.5	M3
3		
4	▼	
5	▼ ●	▼ ●
6	▼ ●	▼ ●
8	▼ ●	▼ ●
10	▼ ●	▼ ●
12	●	▼ ●
14		
16		▼ ●
18		
20		▼ ●
22		
25		▼ ●

▼ = Stainless Steel A2 ● = Steel 4.8 Zinc & Clear Phillips Recess also available. Stainless Steel A4 also available.

DIN 84A Cheese Head Slotted Machine Screws



D1	M1	M1.2	M1.4	M1.6	M2	M2.5	M3
D2	2	2.3	2.6	3	3.8	4.5	5.5
K	0.7	0.8	0.9	1	1.3	1.6	2
N	0.25	0.3	0.3	0.4	0.5	0.6	0.8
T min	0.25	0.3	0.4	0.45	0.5	0.6	0.85
Pitch	0.25	0.25	0.3	0.35	0.4	0.45	0.5

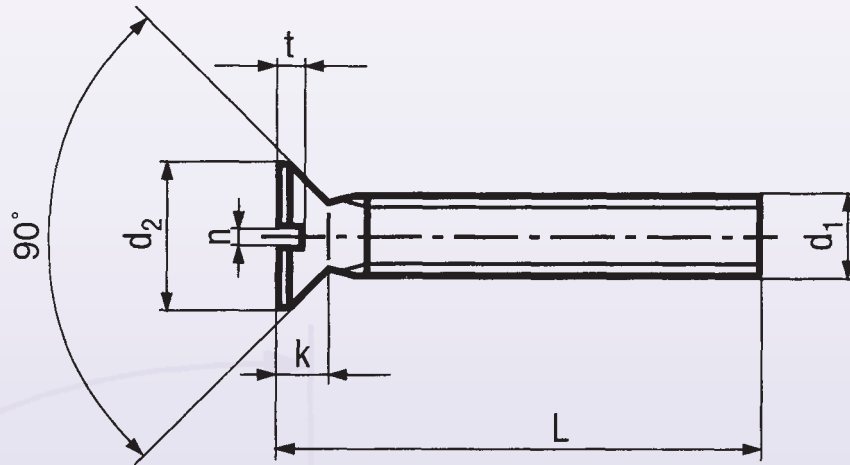
Lengths and material available

D1	M1	M1.2	M1.4	M1.6	M2	M2.5	M3
2	▼ ● ◆	▼ ● ◆	▼ ● ◆	▼ ● ◆	▼ ● ◆	▼ ● ◆	▼ ● ◆
3	▼ ● ◆	▼ ● ◆	▼ ● ◆	▼ ● ◆	▼ ● ◆	▼ ● ◆	▼ ● ◆
4	▼ ● ◆	▼ ● ◆	▼ ● ◆	▼ ● ◆	▼ ● ◆	▼ ● ◆	▼ ● ◆
5	▼ ● ◆	▼ ● ◆	▼ ● ◆	▼ ● ◆	▼ ● ◆	▼ ● ◆	▼ ● ◆
6	▼ ● ◆	▼ ● ◆	▼ ● ◆	▼ ● ◆	▼ ● ◆	▼ ● ◆	▼ ● ◆
8	▼ ● ◆	▼ ● ◆	▼ ● ◆	▼ ● ◆	▼ ● ◆	▼ ● ◆	▼ ● ◆
10	▼ ●	▼ ● ◆	▼ ● ◆	▼ ● ◆	▼ ● ◆	▼ ● ◆	▼ ● ◆
12		▼ ● ◆	▼ ● ◆	▼ ● ◆	▼ ● ◆	▼ ● ◆	▼ ● ◆
14				▼ ● ◆	▼ ● ◆	▼ ● ◆	▼ ● ◆
16				▼ ● ◆	▼ ● ◆	▼ ● ◆	▼ ● ◆
18					●	▼ ● ◆	▼ ● ◆
20					▼ ● ◆	▼ ● ◆	▼ ● ◆
22					●	●	●
25					▼ ● ◆	▼ ● ◆	▼ ● ◆
28						●	●
30						●	▼ ● ◆
35							▼ ● ◆
40							▼ ● ◆
45							▼ ● ◆
50							▼ ● ◆
55							●
60							●

▼ = Stainless Steel A2 ● = Steel Grade 4.8 Zinc & Clear ◆ = Brass Stainless Steel A4 also available.

Larger sizes available on request.

DIN 963A Flat Head Slotted Machine Screws



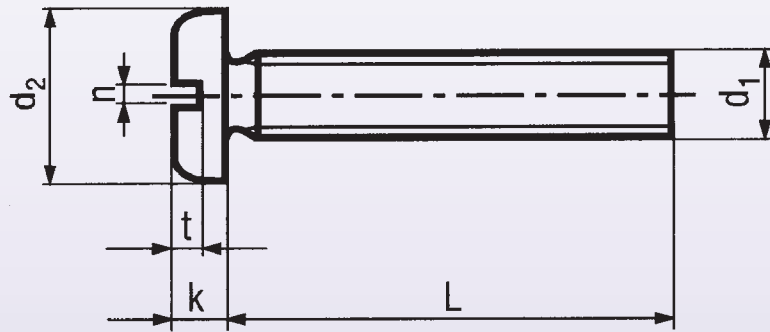
D1	M1.6	M2	M2.5	M3
D2	3.00	3.8	4.7	5.6
K max	0.96	1.2	1.5	1.65
N	0.4	0.5	0.6	0.8
t min	0.32	0.4	0.5	0.8
Pitch	0.35	0.4	0.45	0.5

Lengths and material available

D1	M1.6	M2	M2.5	M3
3	▼ ● ◆	▼ ● ◆	▼ ● ◆	
4	▼ ● ◆	▼ ● ◆	▼ ● ◆	
5	▼ ● ◆	▼ ● ◆	▼ ● ◆	▼ ● ◆
6	▼ ● ◆	▼ ● ◆	▼ ● ◆	▼ ● ◆
8	▼ ● ◆	▼ ● ◆	▼ ● ◆	▼ ● ◆
10	▼ ● ◆	▼ ● ◆	▼ ● ◆	▼ ● ◆
12	▼ ●	▼ ● ◆	▼ ● ◆	▼ ● ◆
14	▼	●	▼ ●	▼ ●
16	▼	▼ ●	▼ ● ◆	▼ ● ◆
18			▼ ●	▼ ●
20		▼ ●	▼ ●	▼ ● ◆
22			●	▼ ● ◆
25			▼ ●	▼ ● ◆
28				
30			●	▼ ● ◆
35				▼ ● ◆
40			●	▼ ● ◆
45				▼ ● ◆
50				▼ ● ◆

▼ = Stainless Steel A2 ● = Steel 4.8 Zinc & Clear ◆ = Brass Stainless Steel A4 also available.

DIN 85A Pan Head Slotted Machine Screws



D1	M1.6	M2	M2.5	M3
D2	3.2	4	5	6
K	1.00	1.2	1.5	1.8
N	0.6	0.6	0.6	0.8
T min	0.35	0.5	0.6	0.7
Pitch	0.35	0.4	0.45	0.5

Lengths and material available

D1	M1.6	M2	M2.5	M3
3	▼		▼ ● ◆	
4	▼	▼	▼ ● ◆	▼ ● ◆
5	▼	▼	▼ ● ◆	▼ ● ◆
6	▼	▼	▼ ● ◆	▼ ● ◆
8	▼	▼	▼ ● ◆	▼ ● ◆
10		▼	▼ ● ◆	▼ ● ◆
12		▼	▼ ● ◆	▼ ● ◆
14		▼	▼ ● ◆	▼ ● ◆
16		▼	▼ ● ◆	▼ ● ◆
18			●	▼ ●
20		▼	▼ ● ◆	▼ ● ◆
22			●	▼ ●
25			▼ ● ◆	▼ ● ◆
30			▼ ●	▼ ● ◆
35			●	▼ ● ◆
40			●	▼ ● ◆
45			●	▼ ●
50			●	▼ ●
60				●

▼ = Stainless Steel A2

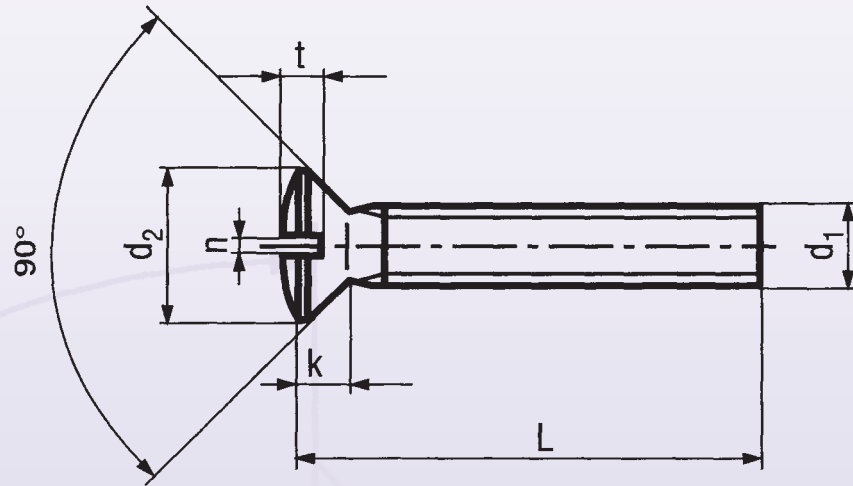
● = Steel 4.8 Zinc & Clear

◆ = Brass

Stainless Steel A4 also available.

Larger sizes available on request.

DIN 964A R/CSK Slotted Machine Screws



D1	M2	M2.5	M3
D2	3.8	4.7	5.6
K max	1.2	1.5	1.65
N	0.5	0.6	0.8
T min	0.8	1	1.2
Pitch	0.4	0.45	0.5

Lengths and material available

D1	M2	M2.5	M3
5	▼ ●	▼ ●	▼ ●
6	▼ ●	▼ ●	▼ ●
8	▼ ●	▼ ●	▼ ● ◆
10	▼ ●	▼ ●	▼ ● ◆
12	▼ ●	▼ ●	▼ ● ◆
14		▼ ●	▼ ●
16		▼ ●	▼ ● ◆
20		▼ ●	▼ ●
22			
25			▼ ●
30			▼ ●
35			▼ ●
40			

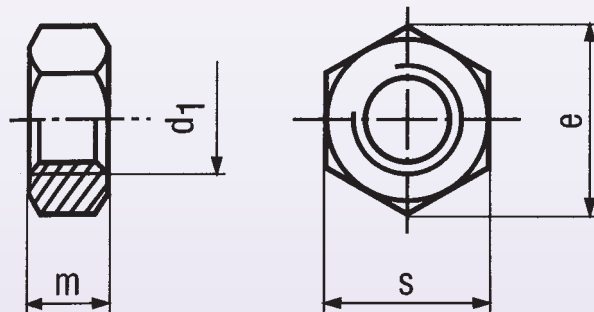
▼ = Stainless Steel A2

● = Steel 4.8 Zinc & Clear

◆ = Brass

Stainless Steel A4 also available.

DIN 934 Hexagon Full Nuts



D1	M1	M1.2	M1.4	M1.6	M2
E min	2.71	3.28	3.28	3.41	4.32
S	2.5	3	3	3.2	4
M max	0.8	1	1.2	1.3	1.6
Pitch	0.25	0.25	0.3	0.35	0.4

D1	M2.3	M2.5	M2.6	M3
E min	4.88	5.45	5.45	6.01
S	4.5	5	5	5.5
M max	1.8	2	2	2.4
Pitch	0.4	0.45	0.45	0.5

Material Stocked

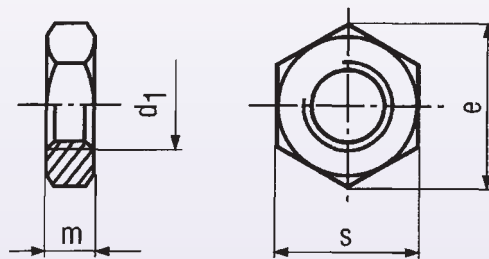
D1	M1	M1.2	M1.4	M1.6	M2
	▼ ● ◆	▼ ● ◆	▼ ● ◆	▼ ● ◆	▼ ● ◆

D1	M2.3	M2.5	M2.6	M3
	▼ ● ◆	▼ ● ◆	▼ ● ◆	▼ ● ◆

▼ = Stainless Steel A2 ● = Steel Grade 8 Zinc & Clear ◆ = Brass Stainless Steel A4 also available.

Larger sizes available on request.

DIN 439B Hexagon Lock Nuts

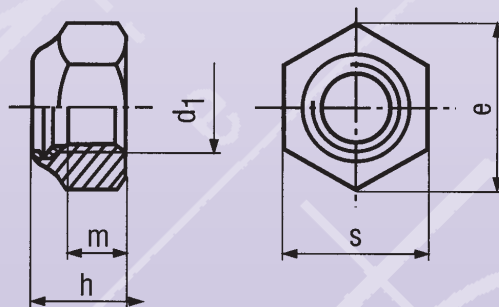


D1	M2	M2.5	M3
E min	4.32	5.45	6.01
S	4	5	5.5
M	1.2	1.6	1.8
Pitch	0.4	0.45	0.5

Material Stocked

Size	M2	M2.5	M3
	▼ ● ◆	▼ ● ◆	▼ ● ◆

DIN 985 Nylon Insert Nuts



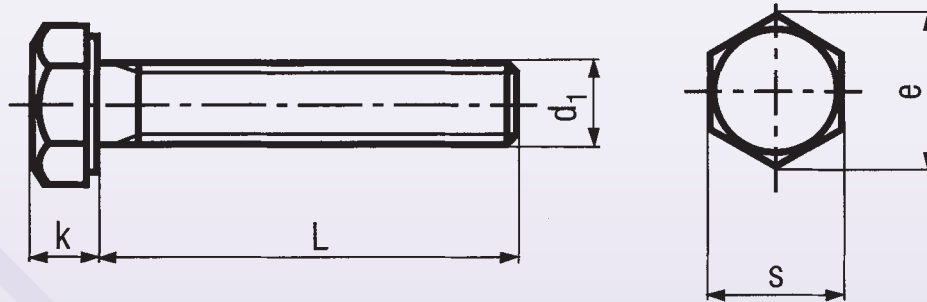
D1	M2	M2.5	M3
E min	4.91	5.51	6.01
H max	2.5	3.8	4
M	1.6	2	5
S	4.5	5	5.5
Pitch	0.4	0.45	0.5

Material Stocked

D1	M2	M2.5	M3
	●	▼ ●	▼ ● ◆

▼ = Stainless Steel A2 ● = Steel Grade 8 Zinc & Clear ◆ = Brass Stainless Steel A4 also available.

DIN 933 Hexagon Head Set Screws



D1	M2.5	M3
E	5.45	6.01
K	1.7	2
S	5	5.5
Pitch	0.45	0.5

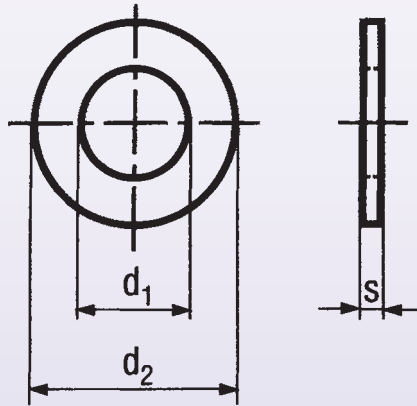
Lengths and material available

D1	M2.5	M3
5	▼	▼
6	▼	▼
8	▼	▼ ●
10	▼	▼ ●
12	▼	▼ ●
14		▼ ●
16	▼	▼ ●
20		▼ ●
25		▼ ●
30		▼ ●
35		▼
40		▼

▼ = Stainless Steel A2 ● = Steel Grade 8.8 Self Colour Stainless Steel A4 also available.

Larger sizes available on request.

DIN 125A Flat Washers



	M1	M1.2	M1.4	M1.6	M2
D1	1.1	1.3	1.5	1.7	2.2
D2	3.2	3.8	3.8	4	5
S	0.3	0.3	0.3	0.3	0.3

	M2.3	M2.5	M2.6	M3
D1	2.5	2.7	2.8	3.2
D2	6	6	7	7
S	0.5	0.5	0.5	0.5

Material Stocked

D1	M1	M1.2	M1.4	M1.6	M2
	▼ ● ◆	▼ ● ◆	▼ ● ◆	▼ ● ◆	▼ ● ◆

D1	M2.3	M2.5	M2.6	M3
	▼ ● ◆	▼ ● ◆	▼ ● ◆	▼ ● ◆

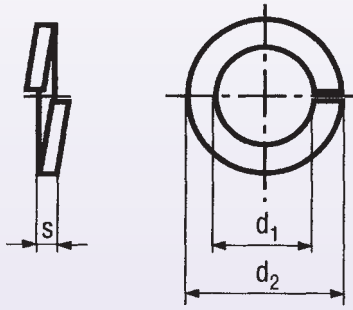
▼ = Stainless Steel A2

● = Steel Zinc & Clear

◆ = Brass

Stainless Steel A4 also available.

DIN 127B Spring Washers Rectangular Section

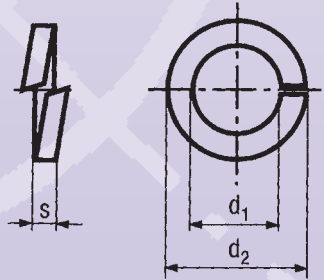


	M2	M2.5	M3
D1 min	2.1	2.6	3.1
D1 max	2.4	2.9	3.4
D2 max	4.4	5.1	6.2
S	0.5	0.6	0.8

Material Stocked

Size	M2	M2.5	M3
	▼ ●	▼ ●	▼ ●

DIN 7980 Spring Washers Square Section



	M2	M2.5	M3
D1 min	2.1	2.6	3.1
D1 max	2.4	2.9	3.4
D2 max	4.4	4.7	5.6
S	0.6	0.8	1

Material Stocked

Size	M2	M2.5	M3
	▼ ●	▼ ●	▼ ●

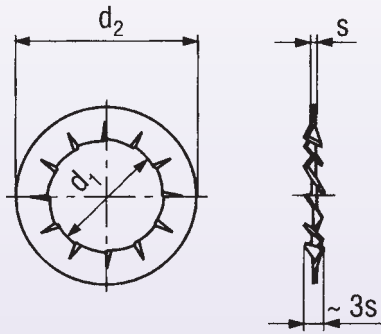
▼ = Stainless Steel A2

● = Steel HV 430-530 Zinc & Clear

Stainless Steel A4 also available.

Larger sizes available on request.

DIN 6798J Serrated Internal Lock Washers

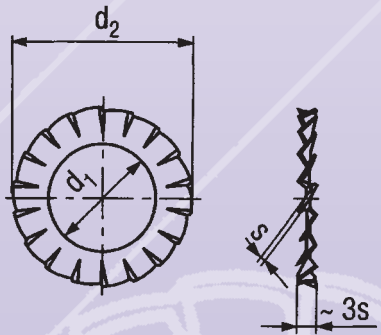


	M2	M2.5	M3
D1 min	2.2	2.7	3.2
D2 max	4.5	5.5	6
S	0.3	0.4	0.4

Material Stocked

Size	M2	M2.5	M3
	▼ ●	▼ ●	▼ ●

DIN 6798A Serrated External Lock Washers



	M2	M2.5	M3
D1 min	2.2	2.7	3.2
D2 max	4.5	5.5	6
S	0.3	0.4	0.4

Material Stocked

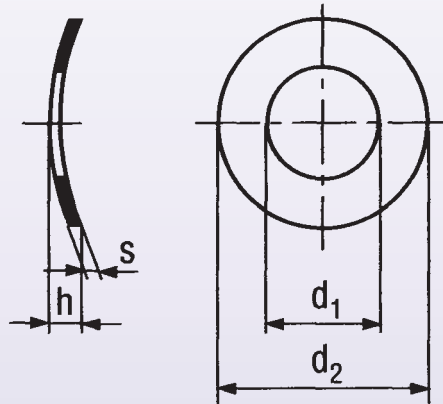
Size	M2	M2.5	M3
	●	▼ ●	▼ ●

▼ = Stainless Steel A2

● = Spring Steel 350-425 HV10

Stainless Steel A4 also available.

DIN 137A Curved Spring Washers



	M1	M1.2	M1.4	M1.6	M2
D1	1.1	1.3	1.5	1.7	2.2
D2	2.5	3	3	4	4.5
H max	0.35	0.35	0.4	0.45	0.5
S	0.2	0.2	0.25	0.25	0.3

	M2.3	M2.5	M2.6	M3
D1	2.5	2.8	2.8	3.2
D2	5	5.5	5.5	6
H max	0.5	0.55	0.55	0.65
S	0.3	0.3	0.3	0.4

Material Stocked

D1	M1	M1.2	M1.4	M1.6	M2
	▼ ●	▼ ●	▼ ●	▼ ●	▼ ●

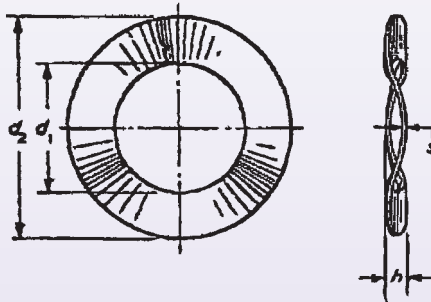
D1	M2.3	M2.5	M2.6	M3
	▼ ●	▼ ●	▼ ●	▼ ●

▼ = Stainless Steel A2/1.4310

● = Steel HV430-530 Zinc & Clear

Larger sizes available on request.

BS 4463 Crinkle Washers



	M1.6	M2	M2.5	M3
D1	1.8	2.3	2.8	3.32
D2	3.7	4.6	5.8	6.4
K	0.51	0.53	0.53	0.61
S	0.16	0.16	0.16	0.16

Material Stocked

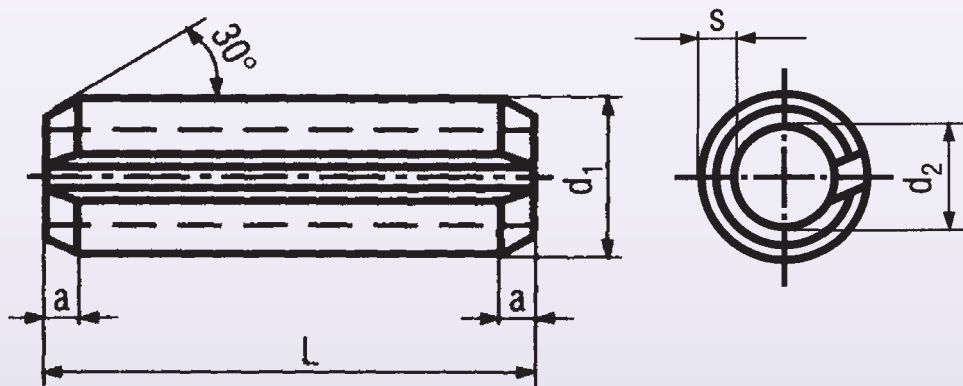
Size	M1.6	M2	M2.5	M3
	▼	▼	▼	▼

▼ = Stainless Steel A2

Crinkle Washers made to BS 4463-1969

Beryllium Copper also available.

DIN 1481 Spring Pins Heavy Duty



NOM	1	1.5	2	2.5	3
D1 min	1.2	1.7	2.3	2.8	3.3
D2	0.8	1.1	1.5	1.8	2.1
A	0.15	0.25	0.35	0.4	0.5
S	0.2	0.3	0.4	0.5	0.6

Lengths and material available

NOM	1	1.5	2	2.5	3
4	▼ ●	▼ ●	▼ ●	▼ ●	▼ ●
5	▼ ●	▼ ●	▼ ●	▼ ●	▼ ●
6	▼ ●	▼ ●	▼ ●	▼ ●	▼ ●
8	▼ ●	▼ ●	▼ ●	▼ ●	▼ ●
10	●	▼ ●	▼ ●	▼ ●	▼ ●
12	●	▼ ●	▼ ●	▼ ●	▼ ●
14	●	▼ ●	▼ ●	▼ ●	▼ ●
16	●	▼ ●	▼ ●	▼ ●	▼ ●
18	●	▼ ●	▼ ●	▼ ●	▼ ●
20	●	▼ ●	▼ ●	▼ ●	▼ ●
22			●	●	●
25			▼ ●	▼ ●	▼ ●
28			▼ ●	▼ ●	●
30			▼ ●	▼ ●	▼ ●
35					▼ ●
40					▼ ●

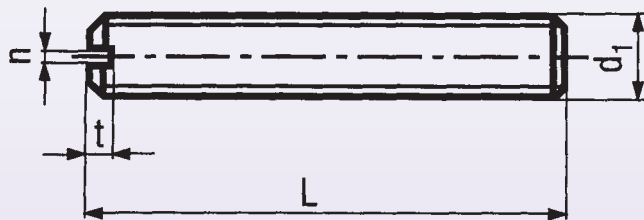
▼ = Stainless Steel A2/1.4310

● = Steel HV422-560

Stainless Steel A4 also available.

Larger sizes available on request.

DIN 551 Slotted Set Screws Flat Point



D2	M2	M2.5	M3
N min	0.25	0.4	0.4
T min	0.64	0.72	0.8
Pitch	0.4	0.45	0.5

Lengths and material available

D2	M2	M2.5	M3
2	▼ ●	●	
3	▼ ●	▼ ●	▼ ●
4	▼ ●	▼ ●	▼ ●
5	▼ ●	▼ ●	▼ ●
6	▼ ●	▼ ●	▼ ●
8	▼	▼ ●	▼ ●
10	▼	▼ ●	▼ ●
12	▼	▼ ●	▼ ●
16	▼	▼ ●	▼ ●
20			●
25			●
30			●
35			●
40			●

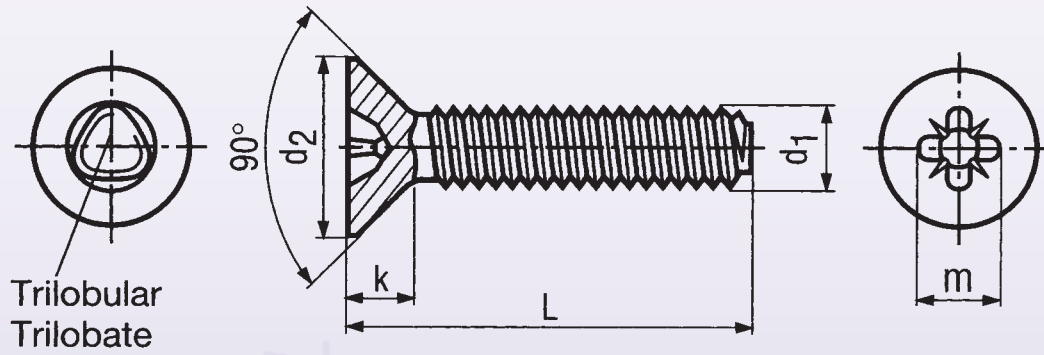
▼ = Stainless Steel A2

● = Steel 14h/22h

DIN 438-DIN 553 also available in certain sizes.

Stainless Steel A4 also available.

DIN 7500 CSK Pozidriv Thread Forming Screws



D1	M2.5	M3
D2 max	4.7	5.6
K max	1.5	1.65
Recess size	1	1
M	2.5	2.8
Depth min	1.22	1.48
Max	1.47	1.73

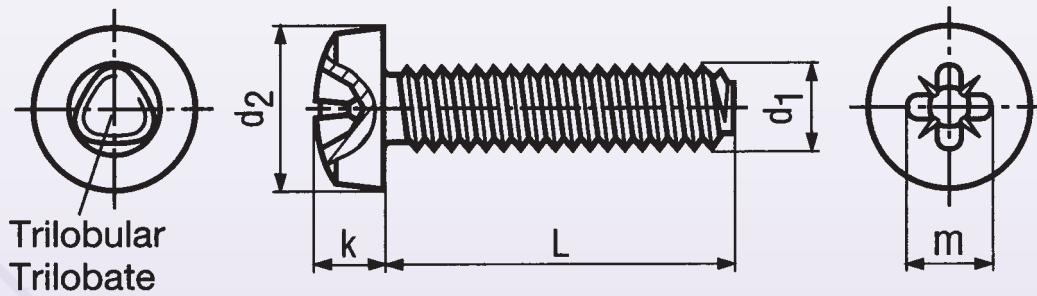
Material Stocked

D1	M2.5	M3
5	▼ ●	▼ ●
6	▼ ●	▼ ●
8	▼ ●	▼ ●
10	▼ ●	▼ ●
12	▼ ●	▼ ●
16	▼ ●	▼ ●
20		▼ ●

▼ = Stainless Steel A2 ● = Steel min 450 HV 0.3 Zinc & Clear Six-Lobe recess also available.
Stainless Steel A4 also available.

Larger sizes available on request.

DIN 7500 Pan Head Pozidriv Thread Forming Screws



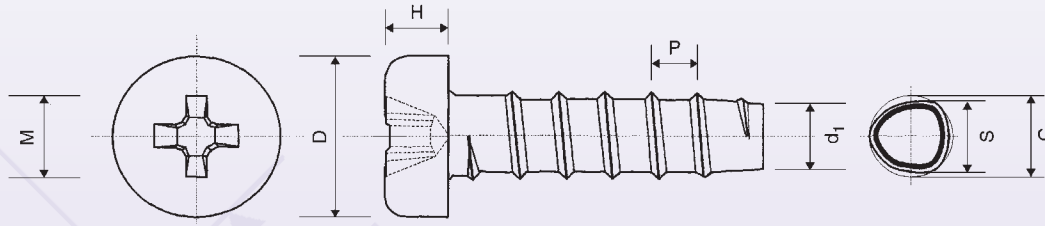
D1	M2.5	M3
D2 max	5	6
K	2	2.4
Recess size	1	1
M	2.6	3
Depth min	1.27	1.68
Max	1.52	1.93

Material Stocked

D1	M2.5	M3
5	▼ ●	▼ ●
6	▼ ●	▼ ●
8	▼ ●	▼ ●
10	▼ ●	▼ ●
12	▼ ●	▼ ●
16	▼ ●	▼ ●
20		▼ ●

▼ = Stainless Steel A2 ● = Steel min 450 HV 0.3 Zinc & Clear Six-Lobe recess also available.

Pan Head Recess JIS Standard P-Tite Thread Forming Screws for Thermoplastics



Size		M1.4	M1.6	M1.7	M2	M2.3	M2.6
PAN HEAD	D	2.5	2.8	3	3.5	4	4.5
	H	0.8	0.85	0.95	1.0	1.1	1.2
	M	1.65	1.8	1.9	2.1	2.2	2.2

THREAD SIZE		M1.4	M1.6	M1.7	M2	M2.3	M2.6
	PITCH (P)	0.5	0.64	0.64	0.79	0.91	1.06
	D1 max	0.95	1.08	1.1	1.54	1.84	2.04
	C max	1.46	1.66	1.76	2.12	2.43	2.73
	S max	1.40	1.60	1.69	2.04	2.35	2.64

Lengths and material available

Lengths (L)	M1.4	M1.6	M1.7	M2	M2.3	M2.6
2						
3	●	●	●			
4	●	●	●	●	●	
5	●	●	●	●	●	●
6		●	●	●	●	●
8				●	●	●
10					●	●
12						●

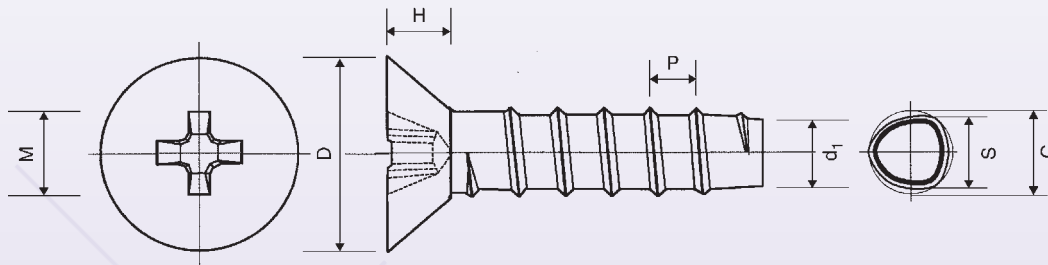
● = Case Hardened Steel Plated

Recommended hole size* In Plastic	M1.4	M1.6	M1.7	M2	M2.3	M2.6
	1.09- 1.24	1.27- 1.42	1.35- 1.51	1.62- 1.82	2.00- 2.05	2.20- 2.25

* Guidance only

Smaller sizes available on request.

CSK Head Recess JIS Standard P-Tite Thread Forming Screws for Thermoplastics



Size		M1.4	M1.6	M1.7	M2	M2.3	M2.6
CSK HEAD	D	2.5	2.8	3	3.5	4	4.5
	H	0.7	0.8	0.8	0.9	1	1.1
	M	1.5	1.65	1.75	1.95	2	2

THREAD SIZE		M1.4	M1.6	M1.7	M2	M2.3	M2.6
	PITCH (P)	0.5	0.64	0.64	0.79	0.91	1.06
	D1 max	0.95	1.08	1.1	1.54	1.84	2.04
	C max	1.46	1.66	1.76	2.12	2.43	2.73
	S max	1.40	1.60	1.69	2.04	2.35	2.64

Lengths and material available

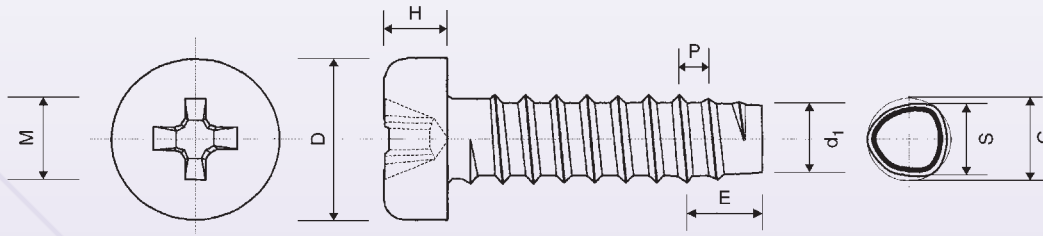
Lengths (L)	M1.4	M1.6	M1.7	M2	M2.3	M2.6
2						
3	●	●	●			
4	●	●	●	●	●	
5	●	●	●	●	●	●
6	●	●	●	●	●	●
8		●	●	●	●	●
10				●	●	●
12						●

● = Case Hardened Steel Plated

Recommended hole size* In Plastic	M1.4	M1.6	M1.7	M2	M2.3	M2.6
	1.09- 1.24	1.27- 1.42	1.35- 1.51	1.62- 1.82	2.00- 2.05	2.20- 2.25

* Guidance only

Pan Head Recess JIS Standard B-Tite Thread Forming Screws for Mild Steel-Aluminium-Plastic



Size		M1.4	M1.6	M1.7	M2	M2.3	M2.6
PAN HEAD	D	2.5	2.8	3	3.5	4	4.5
	H	0.8	0.85	0.9	1.0	1.1	1.2
	M	1.65	1.8	1.9	2.1	2.2	2.2

THREAD SIZE		M1.4	M1.6	M1.7	M2	M2.3	M2.6
	PITCH (P)	0.45	0.5	0.5	0.64	0.8	0.92
	D1 max	0.92	1.04	1.14	1.36	1.86	2.21
	E max	1.10	1.25	1.25	1.5	2	2.3
	C max	1.43	1.63	1.73	2.04	2.34	2.64
	S max	1.37	1.56	1.66	1.96	2.26	2.55

Lengths and material available

Lengths (L)	M1.4	M1.6	M1.7	M2	M2.3	M2.6
3	●	●				
4	●	●	●	●	●	
5	●	●	●	●	●	●
6	●	●	●	●	●	●
8		●	●	●	●	●
10				●	●	●
12				●	●	●
16				●		

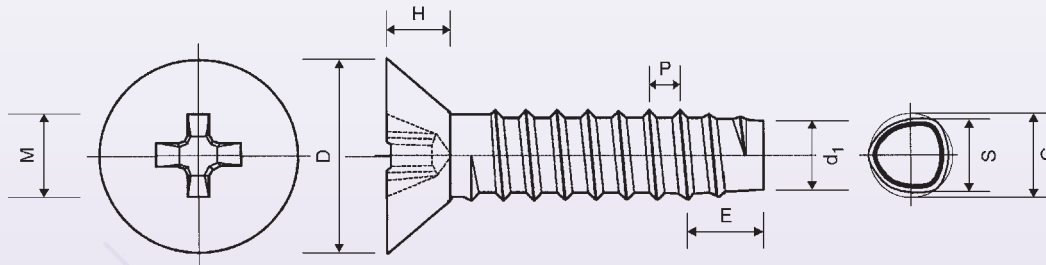
● = Case Hardened Steel Plated

Recommended hole sizes*	In Aluminium	1.23	1.41	1.51	1.75	2.1	2.3
	In Plastic	1.1	1.3	1.4	1.67	1.95	2.25
	In Mild Steel	1.2	1.35	1.45	1.7	2.05	2.25

* Guidance only

Smaller sizes available on request.

CSK Head Recess JIS Standard B-Tite Thread Forming Screws for Mild Steel-Aluminium-Plastic



Size		M1.4	M1.6	M1.7	M2	M2.3	M2.6
CSK HEAD	D	2.5	2.8	3	3.5	4	4.5
	H	0.7	0.8	0.8	0.9	1.1	1.1
	M	1.50	1.65	1.75	1.95	2	2

THREAD SIZE		M1.4	M1.6	M1.7	M2	M2.3	M2.6
	PITCH (P)	0.45	0.5	0.5	0.64	0.8	0.92
	D1 max	0.92	1.04	1.14	1.36	1.86	2.21
	C max	1.43	1.63	1.73	2.04	2.34	2.64
	S max	1.5	1.65	1.75	1.95	2	2

Lengths and material available

Lengths (L)	M1.4	M1.6	M1.7	M2	M2.3	M2.6
2						
3	●	●	●			
4	●	●	●	●	●	
5	●	●	●	●	●	●
6	●	●	●	●	●	●
8		●	●	●	●	●
10				●	●	●
12						●

● = Case Hardened Steel Plated

Recommended hole sizes*	In Aluminium	1.23	1.41	1.51	1.75	2.1	2.3
	In Plastic	1.1	1.3	1.4	1.67	1.95	2.25
	In Mild Steel	1.2	1.35	1.45	1.7	2.05	2.25

* Guidance only